



Whitehall Manufacturing®
Manufacturer of Healthcare and Rehabilitation Products since 1946

WH2145 Series Ligature Resistant Cistern Tank Toilet



MODELS:

WH2145_10
WH2145_12
WH2145_10-PBR
WH2145_12-PBR

WH2145ADA_10
WH2145ADA_12
WH2145ADA_10-PBR
WH2145ADA_12-PBR

**TECHNICAL ASSISTANCE TOLL FREE TELEPHONE NUMBER:
1.800.591.9360**

Technical Assistance E-Mail: Fieldservice@acorneng.com



IMPORTANT

Important: Some options may slightly alter installation. To ensure proper installation review the manual thoroughly and verify rough-ins before beginning any work. File this manual with the owner or maintenance personnel upon completion of installation.

Industry standard wall backing, for wall hung fixtures, is required. Installer provided wall anchors and wall anchoring hardware must be appropriate for wall construction.

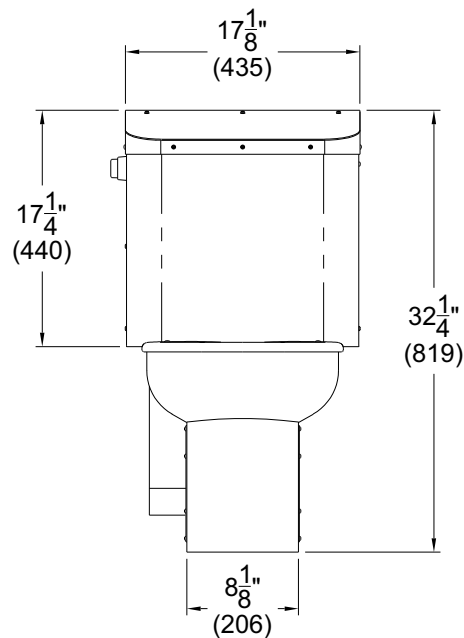
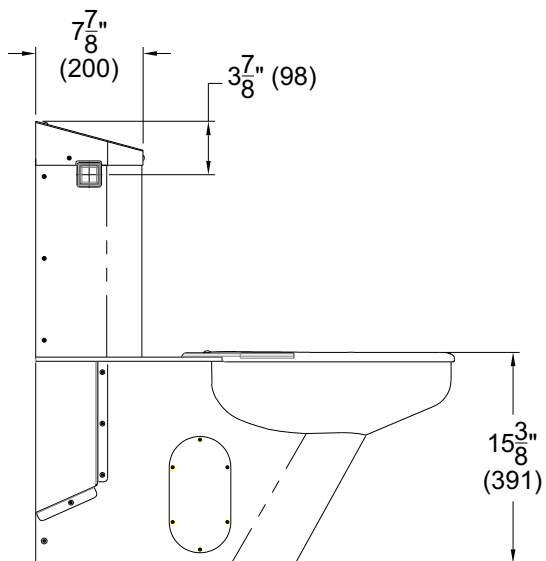
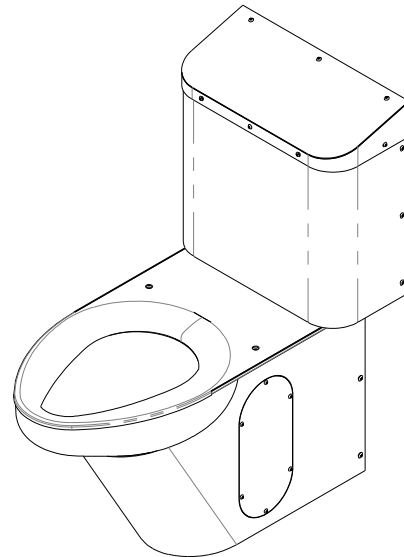
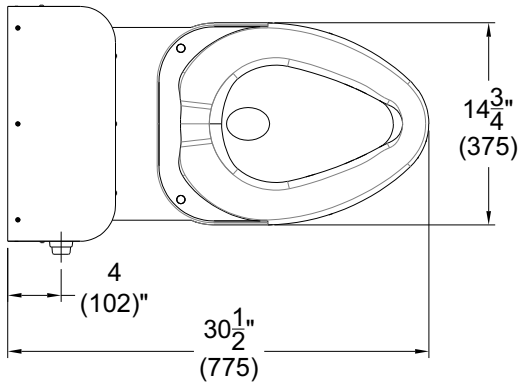
REQUIRED ITEMS FOR INSTALLATION - NOT SUPPLIED

- ✍ Toilet Ballcock Water Supply Line
- ✍ Closet Ring Gasket
- ✍ Closet Flange Hardware
- ✍ 1/2" x 13 UNC (4 Count) Closet Fixture Wall Anchors (with Appropriate Tools)
- ✍ Ø7/16" X 5/8" (2 Count) Tank Back Panel Wall Anchors and Anchoring Hardware (with Appropriate Tools)

WHITEHALL MANUFACTURING • P.O. BOX 3527 • City of Industry, CA 91744-0527 U.S.A.
Phone (800) 782-7706 • Web: www.whitehallmfg.com



DIMENSIONAL DRAWING WH2145:

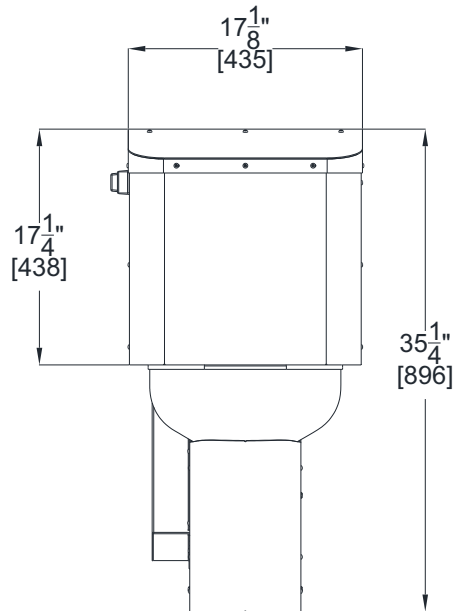
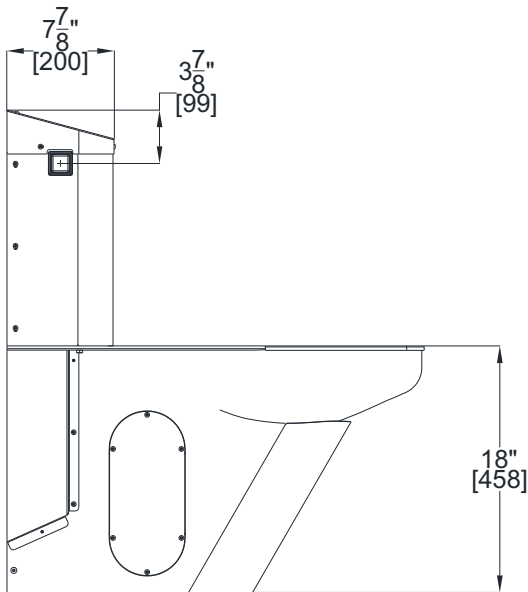
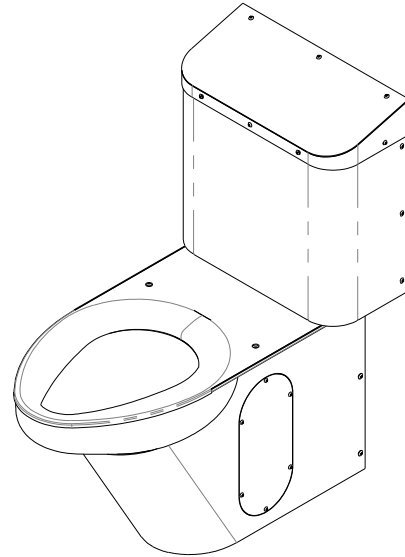
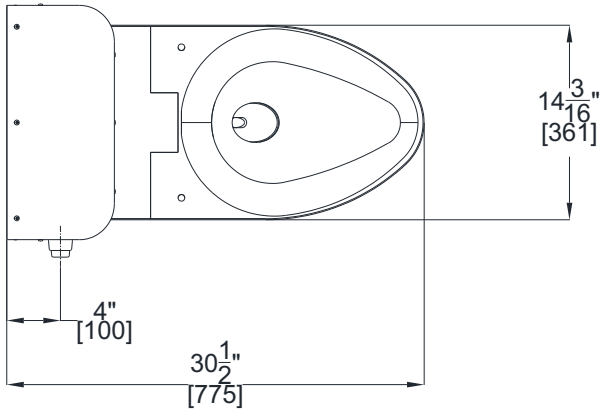


GENERAL NOTES:

1. All dimensions are in inches [MM]



DIMENSIONAL DRAWING WH2145ADA:



GENERAL NOTES:

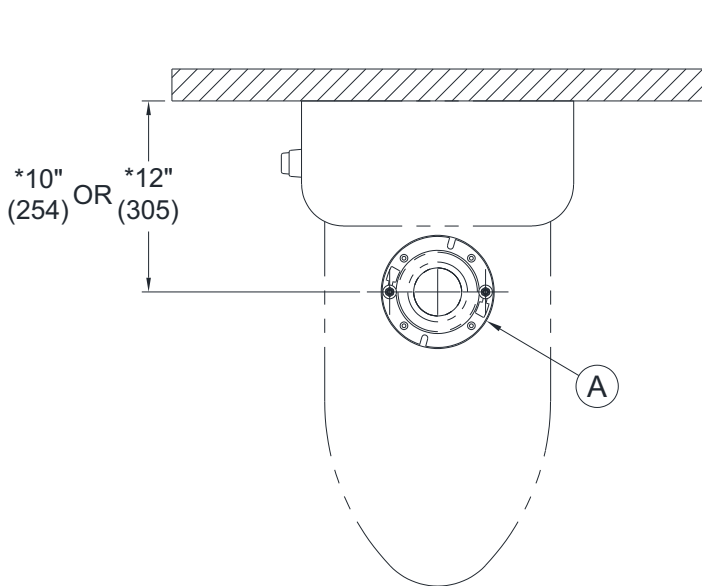
1. All dimensions are in inches [MM]



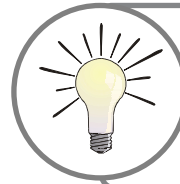
DISCLAIMER: This unit is not fully ADA compliant and is provided with an ADA Seat Height only. Compliance is subject to the interpretation and requirements of the Local Code Authority.



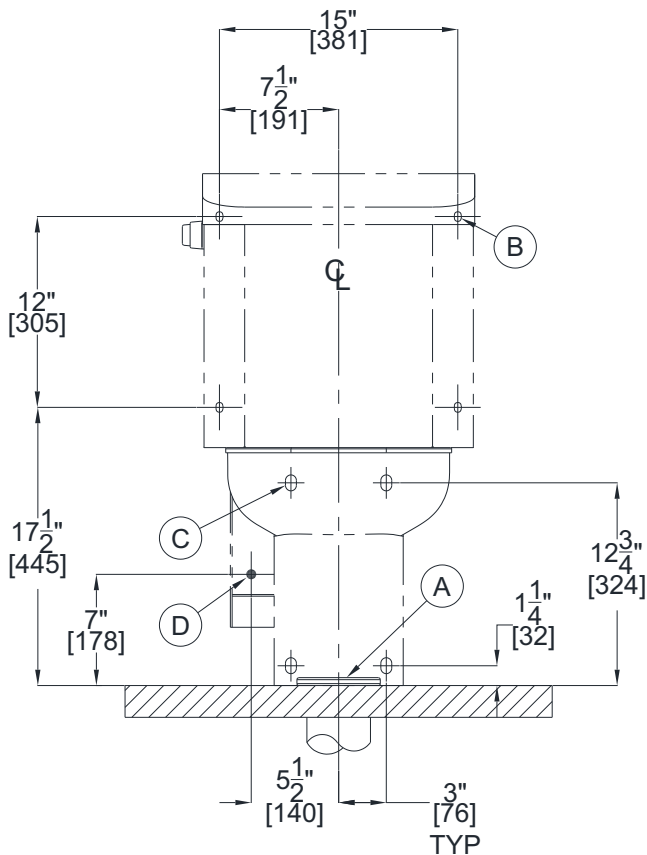
ROUGH-IN DRAWING WH2145:



- FINISHED WALL
- (A) ROUGH-IN FOR 7-1/2" CLOSET FLANGE WASTE OUTLET BY OTHERS
- (B) WALL ANCHORS AND MOUNTING HARDWARE BY OTHERS FOR CISTERN Ø7/16" x 5/8" LONG SLOT PUNCHING, 2 PLACES
- (C) WALL ANCHORS BY OTHERS FOR TOILET Ø5/8" x 1-1/2" LONG SLOT PUNCHING, 4 PLACES
- (D) SUPPLY AND ANGLE STOP FOR CLOSET 7/8" BALLCOCK SUPPLY INLET HOSE BY OTHERS

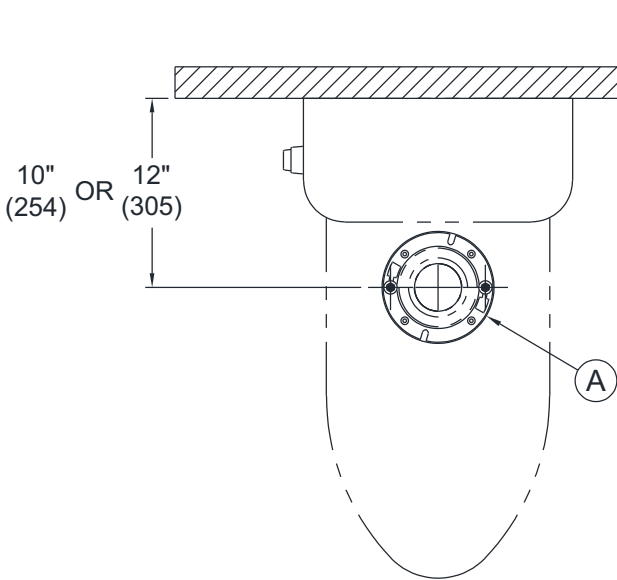


NOTE: Models offered with R.H. Flush Button use the same supply inlet rough-in as shown

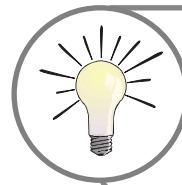




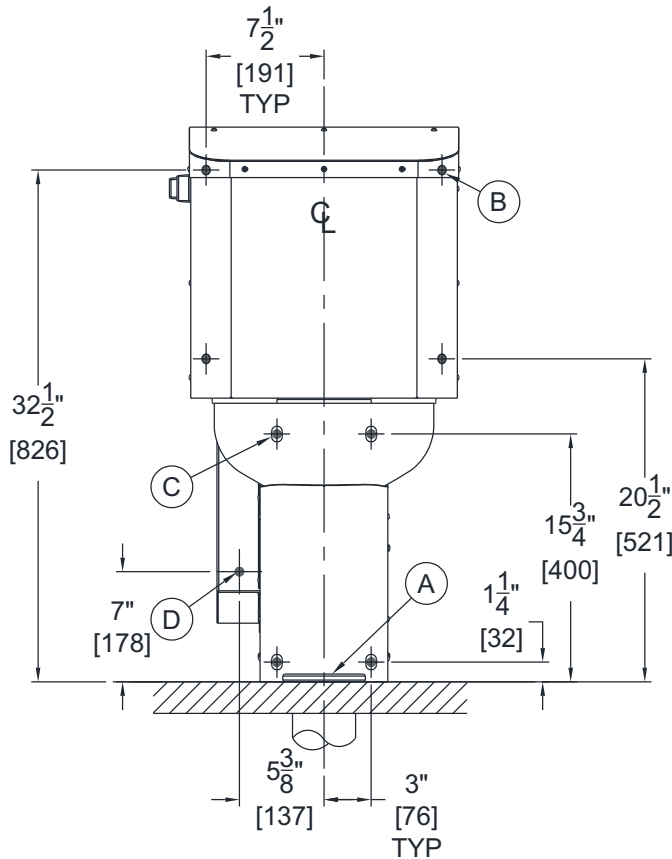
ROUGH-IN DRAWING WH2145ADA:



- (A) ROUGH-IN FOR 7-1/2" CLOSET FLANGE WASTE OUTLET BY OTHERS
- (B) WALL ANCHORS AND MOUNTING HARDWARE BY OTHERS FOR CISTERN Ø7/16" x 5/8" LONG SLOT PUNCHING, 2 PLACES
- (C) WALL ANCHORS BY OTHERS FOR TOILET Ø5/8" x 1-1/2" LONG SLOT PUNCHING, 4 PLACES
- (D) SUPPLY AND ANGLE STOP FOR CLOSET 7/8" BALLCOCK SUPPLY INLET HOSE BY OTHERS



NOTE: Models offered with R.H. Flush Button use the same supply inlet rough-in as shown



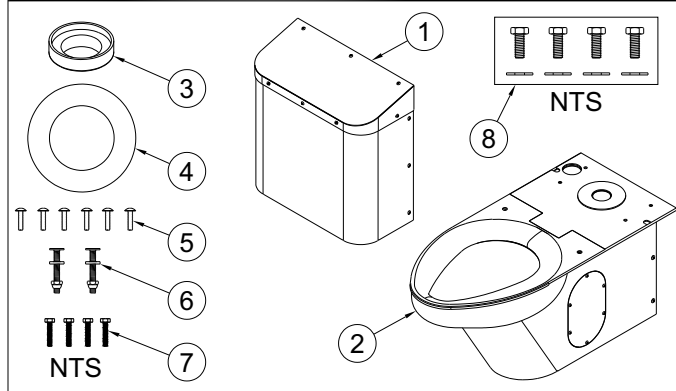
DISCLAIMER: This unit is not fully ADA compliant and is provided with an ADA Seat Height only. Compliance is subject to the interpretation and requirements of the Local Code Authority.



INSTALLATION:

WH2145 SERIES TOILETS

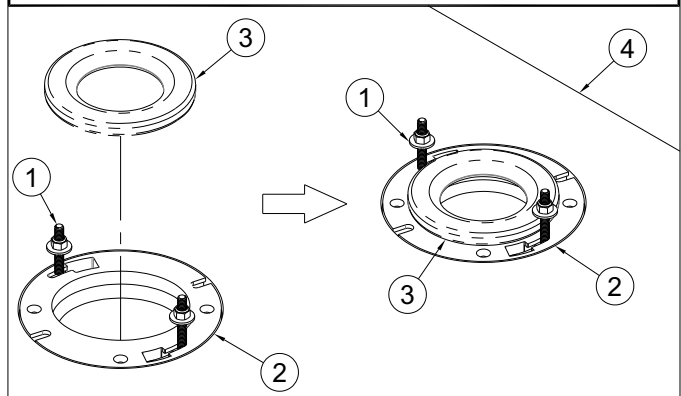
1 Carefully remove all fixture components from packaging, preventing scratching or damage. Inspect fixture and all parts from damages and all parts that are bolted on.



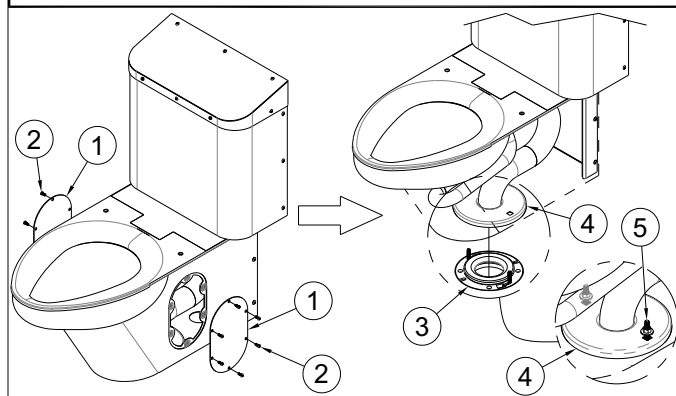
- ① Cistern Tank
- ② Water Closet (Toilet)
- ③ Red Rubber Gasket
- ④ Black Rubber Gasket
- ⑤ 1/4"-20 UNC
- ⑥ T-Bolt Assembly
- ⑦ 1/4"-20 X 1" Hex Head Cap Screw
- ⑧ 1/2"-13 UNC Toilet Mounting Hardware

2 Clean any construction debris out of Floor Flange (provided by others) and install the T-Bolts into slots of the Flange. Center Closet Gasket Ring (provided by others) on Floor Flange.

- ① T-Bolt (Qty. 2)
- ② Floor Flange (provided by others)
- ③ Closet Gasket Ring (provided by others)
- ④ Finished Floor



3 Remove Fixture Access Panels. Align fixture outlet over Closet Flange and against wall, setting fixture on the floor firmly in place onto Closet Flange and T-Bolts. Secure Closet Flange.



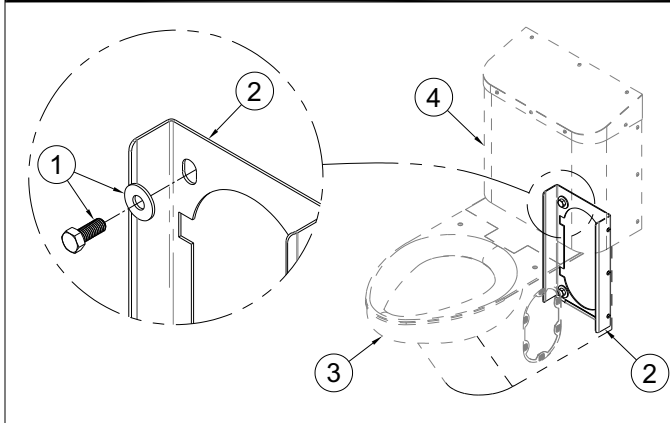
- ① Access Panel (Qty. 2)
- ② #10-32 Hex C/R Button Head Screw (Qty. 12)
- ③ Floor Flange
- ④ 7-1/2" Gasket Flange, Waste
- ⑤ T-Bolt (Qty. 2)



INSTALLATION:

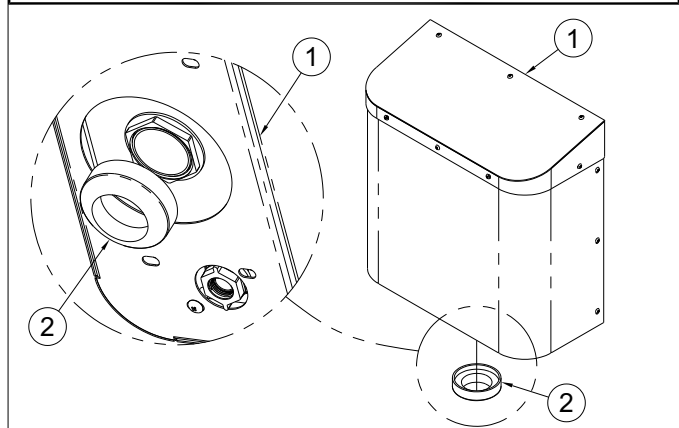
WH2145 SERIES TOILETS

4 Anchor fixture through Access openings. With Fixture secured to Closet Floor Flange, Anchor fixture to wall. Wall Anchors are by others.



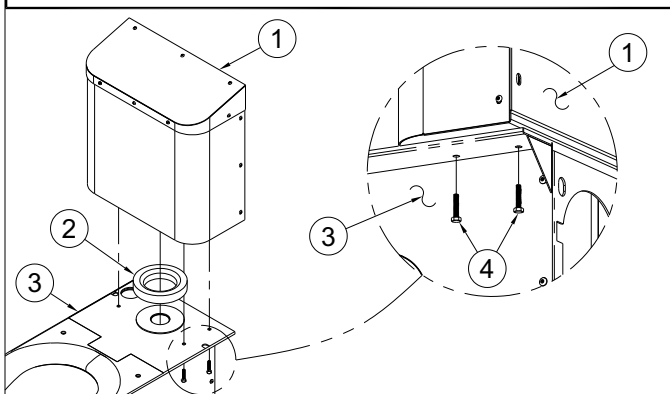
- ① 1/2"-13 UNC Toilet Mounting Hardware (Qty. 4)
- ② Water Closet (Toilet) Mounting Channel
- ③ Water Closet (Toilet)
- ④ Cistern Tank

5 Grab Red Rubber Gasket and install onto Cistern Tank by stretching Red Rubber Gasket over Cistern Tank Bottom Nut.

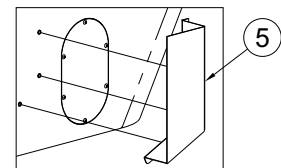


- ① Cistern Tank
- ② Red Rubber Gasket

6 With Red Gasket installed, position larger Black Gasket onto Toilet as shown and secure Tank Assembly to Toilet fixture using 1/4"-20 Hex Head Cap Screws.



NOTE: Angle Stop Cover may be required to be removed to fasten left hand side Cap Screws.



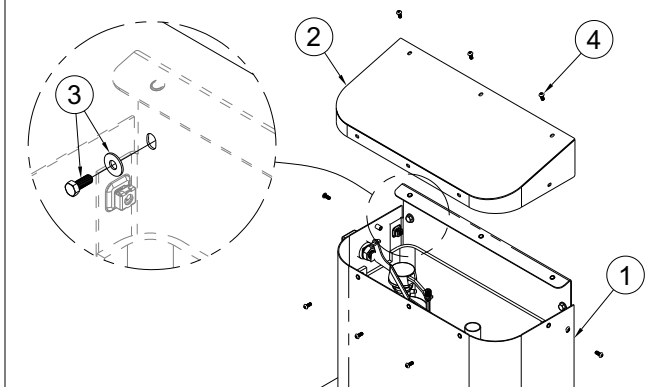
- ① Cistern Tank
- ② Black Rubber Gasket
- ③ Water Closet (Toilet)
- ④ 1/4"-20 X 1" Hex Head Cap Screw (Qty. 4)
- ⑤ Angle Top Cover



INSTALLATION:

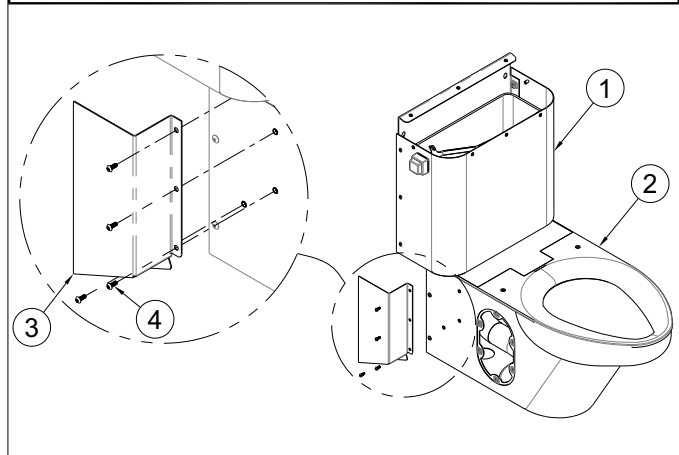
WH2145 SERIES TOILETS

7 With Fixture secured, remove Cistern Tank Top Access Cover. Anchor Cistern Tank to wall utilizing Ø7/16" X 5/8" slots. Anchoring and Anchoring Hardware provided by others.



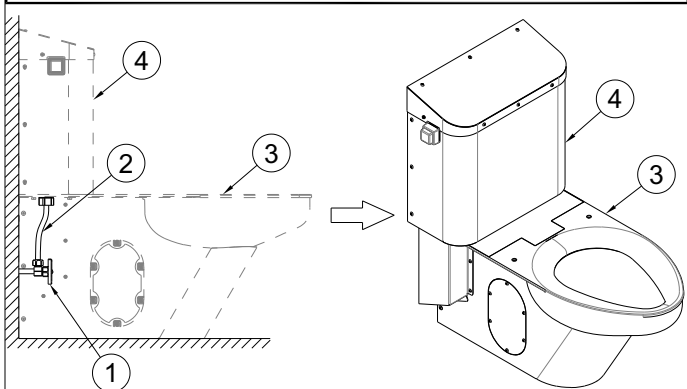
- ① Cistern Tank
- ② Cistern Tank Top Access Cover
- ③ Anchoring and Anchoring Hardware (Qty. 2)
- ④ #10-32 Hex C/R Button Head Screw (Qty. 8)

8 If Supply Cover was not removed in previous step, remove Supply Cover.



- ① Cistern Tank
- ② Water Closet (Toilet)
- ③ Supply Cover
- ④ #10-32 Hex C/R Button Head Screw (Qty. 4)

9 Flush Supply Line thoroughly before making up supply connections from Angle Stop and 7/8" Ballcock Inlet Hose to inlet connection on Tank. Re-install all Panels and Covers.



! IMPORTANT

Test fixture and check for any leaks, before re-installing all Panels and Covers. Refer to Flush Tank adjustment details on following page.

- ① Angle Stop (provided by others)
- ② 7/8" Ballcock Inlet Hose (provided by others)
- ③ Water Closet (Toilet)
- ④ Cistern Tank



FLUSH TANK ADJUSTMENT:

WH2145 SERIES TOILETS

Flushing mechanism is provided by Fluidmaster.

GENERAL:

1. Ensure the float tank level is set for appropriate water level in the tank.
2. Adjust the Flapper so that it remains “floating” in the up position as long as possible.
3. Adjust the “Flapper Dial” if needed (typically provided by Factory preset to maximum setting).



Refer to video Link for detail for specific details on adjustments above.
 Video Link: <http://youtu.be/-98B--R2Emo?t=268>

TROUBLESHOOTING:

1. FIXTURE DOES NOT FLUSH COMPLETELY:

- a. Refer to Fluidmaster Troubleshooting.
- b. Increase the water level.

2. FIXTURE DOUBLE FLUSHES:

- a. Refer to Fluidmaster Troubleshooting.
- b. Decrease the water level.

3. FIXTURE IS NOT FLUSHING PROPERLY:

- a. Refer to Fluidmaster Troubleshooting or contact Fluidmaster.
- b. Fully open Supply Valve.
- c. Verify refill tube is connected with the Water Control and inserted into the overflow tube without any kinks or damage.
- d. Adjust water level. Refer to Fluidmaster installation for Water Level information.
- e. Verify chain has only 1/4” of slack.
- f. Adjust Flush Valve Floater.
- g. Verify rim holes are completely clean.
- h. New Black and Red Rubber Gasket may be required.

4. FILL VALVE TURNS ON AND OFF:

- a. Refer to Fluidmaster Troubleshooting.

5. WATER LEVEL IN BOWL KEEPS DROPPING:

- a. With a container, add water into the bowl until proper height is reached. Wait a few minutes.
 - If Water Doesn't drop, fixture is okay. Our recommendation would be to mark water level and keep track for future reference.
 - If Water drops, Bowl might have internal damage. Toilet may need to be replaced.

6. WATER CONTINUES FLOWING AFTER FLUSH CYCLE:

- a. Refer to Fluidmaster Troubleshoot or contact Fluidmaster.
- b. Replace Flapper.
- c. Readjust Flush Valve chain length as needed.

7. WATER BETWEEN TANK AND BOWL DURING FLUSH:

- a. Refer to Fluidmaster Troubleshooting.
- b. Verify Black and Red Rubber Gaskets are installed correctly
- c. Remove Tank Cover and place level across the Tank. Locate the Hex Cap Head Screws located underneath Fixture. Adjust the Hex Cap Head Screws a quarter turn at a time one each side. With each adjustment, verify tank is secure.
- c. Replace Black and Red Rubber Gasket

8. WATER IS DRIPPING FROM SUPPLY TUBE:

- a. Verify Supply Tube Nut is tightened.
- b. Verify Supply Tube is not damaged or cracked. If damaged, replace Supply Tube.